

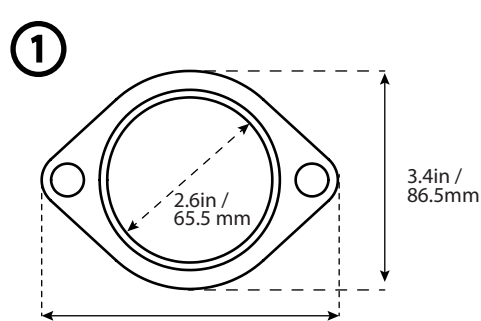
PRODUCT INFORMATION SHEET



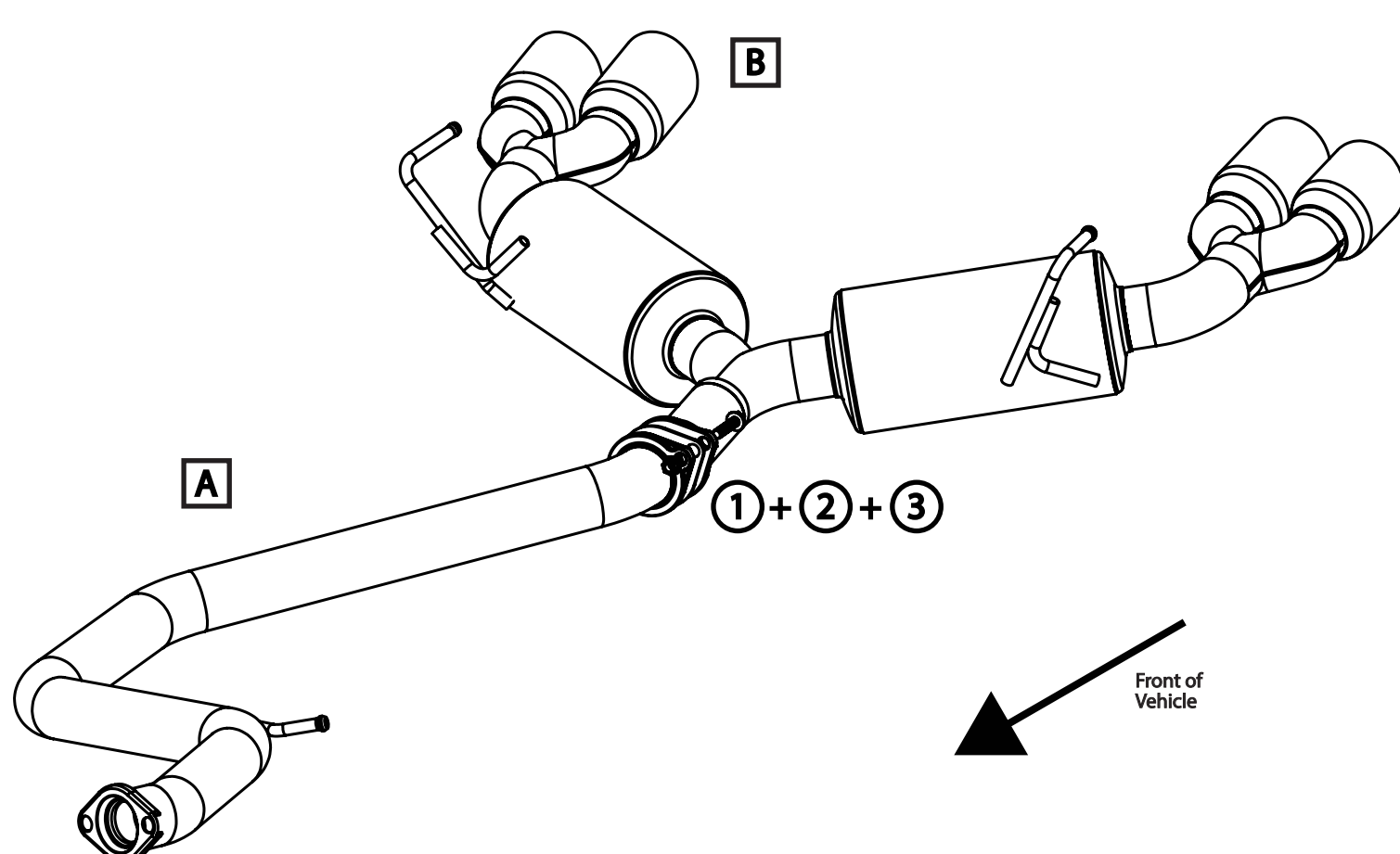
MANUFACTURER: TOYOTA
 YEAR: 2023+
 MODEL: COROLLA HATCHBACK
 TRIM: SE, XSE
 CHASSIS CODE: E210
 REMARK PART #: RK-C4063T-01 AND RK-C4063T-01P
 DESCRIPTION: CATBACK CONFIG - 2.5 IN / 304 STAINLESS STEEL CONSTRUCTION

PARTS LIST

No.	Description	Part Num.	Qty	Torque
1	2.5" Metal 2-Bolt Gasket	65M2-S01	1	
2	M10 Serrated Hex Head Bolt L=40mm	M10B35	2	~42 ft-lbs.
3	M10 Serrated Nut	M10N	2	~42 ft-lbs.
A	2.5" Midpipe	N/A	1	
B	Rear Muffler Section	N/A	1	



PARTS LAYOUT



INSTALLATION

IMPORTANT: INSTALLATION OF THIS PRODUCT REQUIRES MODIFICATION OR REPLACEMENT OF OEM REAR BUMPER COVER

- We recommend installation to be performed by a trained and/ or qualified technician.
- Remove OEM exhaust and or exhaust components
- Rear bumper and driver's side wheel wheel splash shield requires modification to fit the quad exhaust tips
- Remove entire rear bumper cover. Refer to a service manual if you are unsure of how to remove the OEM parts.
- Remove center section of the rear bumper cover (gloss black section). There are screws at the outer edge and many clips securing this section of the bumper to the larger painted portion
- Remove the two silver accent lower garnish pieces from the center section of the rear bumper. There are two screws and multiple clips securing each garnish.
- Install REMARK exhaust components using the original rubber hangers unless otherwise noted.
- We recommend starting from the front first and working your way rearwards.
- Install all gaskets and hardware. Leave the hardware hand tight.
- Align flanges, gasket, and snug all hardware so that sections cannot move.
- Check positioning of the exhaust piping, resonator, muffler(s), and tips(s). Reposition if needed by loosening hardware, adjust position and retighten hardware.
- When placement is confirmed, tighten all hardware to recommend torque spec.
- Temporarily reinstall the color matched section of the rear bumper cover back onto the vehicle
- Carefully trim and/ or cut two sections from the center section of the rear bumper cover to allow adequate space for the quad exhaust tips. We highly recommend trimming little by little and constantly test fitting. Images below are how our technicians cut the bumper to allow adequate space for the tips. You can trim more or less, depending on what aesthetic you prefer. We recommend at least a 8mm gap from tips to any part of the bumper cover to

Unmodified Both silver colored accents removed for visual purposes



Modified/ Trimmed Silver colored accent reattached after trimming on right side

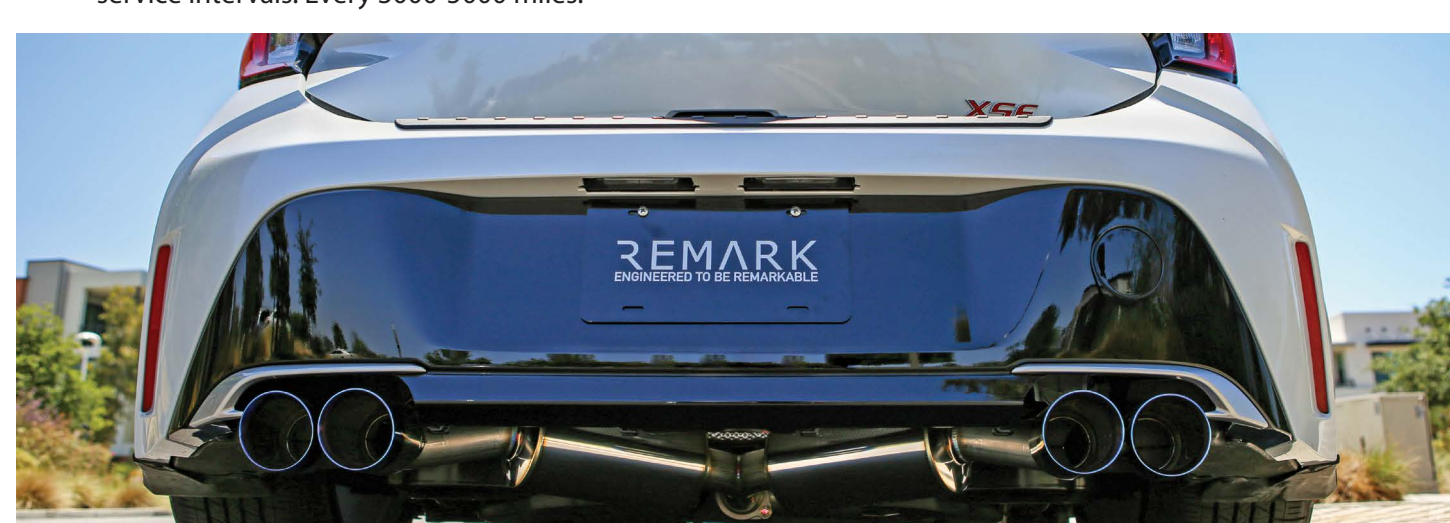


- Once satisfied with the fitment of the rear bumper cover to quad tips. Remove the paint matched section of the rear bumper and securely re-attached the gloss black center section which has just been trimmed.
- Reinstall the silver accent garnish pieces to the rear bumper cover
- Fully reinstall the rear bumper assembly to the vehicle
- Remove and trim the driver's side rear wheel splash shield to allow for clearance to the driver's side exhaust tips.
- Again trim a little at a time and continually test fit. Passenger's side rear splash shield does NOT require any trimming/ cutting.



- Thoroughly wipe down the exhaust system from any grease, dirt, handprints, fingerprints, etc... as these may cause a permanent stain once the exhaust reaches operating temp.
- Start the engine
- Check for any leaks, fitment issues, rubbing, etc..
- Re-check for exhaust leaks, the fitment issues, and re-torque all hardware after ~100 miles of driving

** We highly recommend that the all system components be inspected, and ALL hardware retightened at normal service intervals. Every 3000-5000 miles. **



WARRANTY POLICY

- 1-year limited manufacturer defect warranty from date of purchase
- All warranty claims are subject to inspection by REMARK at our facility
- Limited Warranty only applies to the original purchaser of the product
- REMARK is not responsible for fitment issues on non-US spec vehicles as all products are developed on US spec models
- Product finishes are not covered under warranty and considered wear & tear
- No warranty whatsoever will be valid if the defect was caused by abuse, negligence and/or mishandling. That includes weather conditions, natural disasters, any road/off-road conditions, and any accidents/collision you were part of.
- Acidic cleaning products or steel wool are not to be used unless by a trained professional. Some chemical cleaning products may damage the product and/or finishes.
- Wear and tear (the damage that happens to our product in ordinary use) is not covered by our limited warranty.
- Improper installation or misuse of the product may lead to failure and damage to both product and vehicle. The user assumes all responsibility.
- All products are intended for use off-public streets and highways. Vehicle manufacturer warranty may be voided should any modification(s) or removal(s) of OEM(factory) components are determined.
- Federal and state law may prohibit the removal, modification or rendering of any device affecting vehicle emissions or state regulated decibel limits. It is the customer's responsibility to be aware of federal, state and local laws.
- User assumes all cost and risks associated with purchase and installation of aftermarket components. REMARK is not responsible for any fees, fines, or any type of penalties you have received from any authority.
- Buyers are responsible for all return shipping fees unless otherwise noted
- REMARK does not cover any installation, un-installation, labor fees, or related