



## INSTALLATION GUIDE: AWE 2018-2019 VW GOLF R

For up-to-date fitment information, please visit the product page on [AWE-Tuning.com](http://AWE-Tuning.com).

Welcome to the AWE family, and congratulat

### THIS GUIDE IS INTENDED FOR THE FOLLOWING PART NUMBERS:

- 3015-42140 AWE Track Edition Exhaust for MK7.5 Golf R - Chrome Silver Tips, 102mm
- 3015-43148 AWE Track Edition Exhaust for MK7.5 Golf R - Diamond Black Tips, 102mm
- 3025-42066 AWE SwitchPath™ Exhaust for MK7.5 Golf R - Chrome Silver Tips, 102mm
- 3025-43070 AWE SwitchPath™ Exhaust for MK7.5 Golf R - Diamond Black Tips, 102mm

ions on your purchase of the AWE Exhaust system for the **MK7.5 Golf R**.

Exquisite build quality and craftsmanship, coupled with industry leading performance, distinguish this exhaust system from all others.

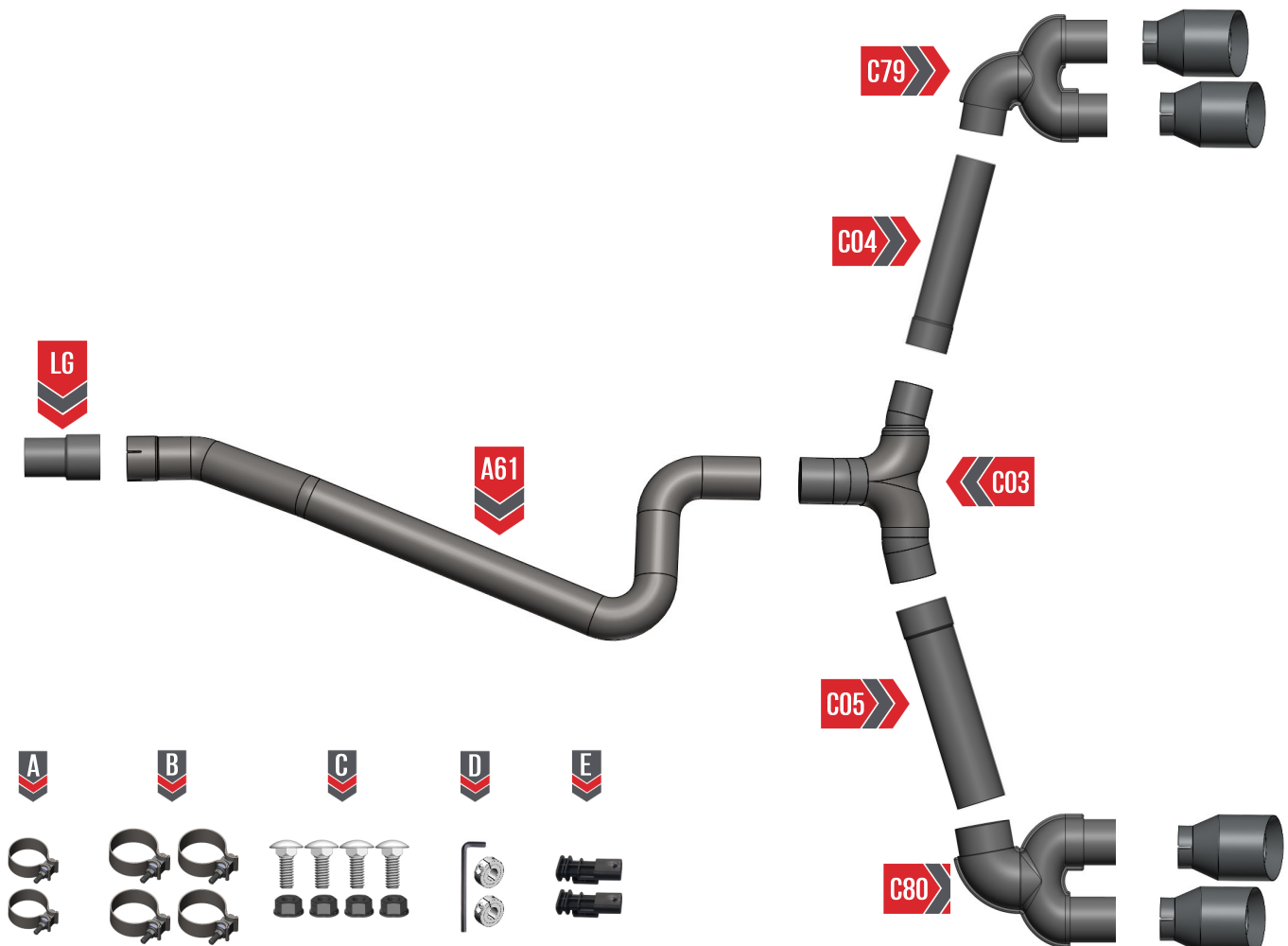
\*For up to the minute fitment information, be sure to visit the AWE website. As always, AWE Performance Specialists are standing by for any questions, [right here](#).

# PARTS LIST (TRACK SYSTEM)



**INSPECT ALL PARTS PRIOR TO DISASSEMBLY OF VEHICLE; IF DAMAGED OR MISSING, PLEASE CONTACT THE PLACE OF PURCHASE IMMEDIATELY.**

Symbol	Part Number	Description	QTY
	LG	OE inlet adapter	1
	A61	Muffler inlet tube	1
	C03	Rear branch section	1
	C79	DS tip outlet section	1
	C80	PS tip outlet section	1
<b>A</b> >>	390250	2.5" exhaust band clamp	2
<b>B</b> >>	390300	3.0" exhaust band clamp	4
<b>C</b> >>	3910-41010	Hardware Kit for Integrated Clamp Style Exhaust Tips - Quad	1
	180010 (chrome) or 180011 (black)	102mm OD x 64.4mm ID tips	4
<b>D</b> >>	3910-11012	Hanger collar clamp kit	1
	→ SRC1-050	1/2" split collar clamp	2
	→ 7122A19	9/64 Allen wrench	1
<b>E</b> >>	GA-6669	Valve harness plug	2
<b>Track systems only</b>			
	C04	DS rear leg (track)	1
	C05	PS rear leg (track)	1

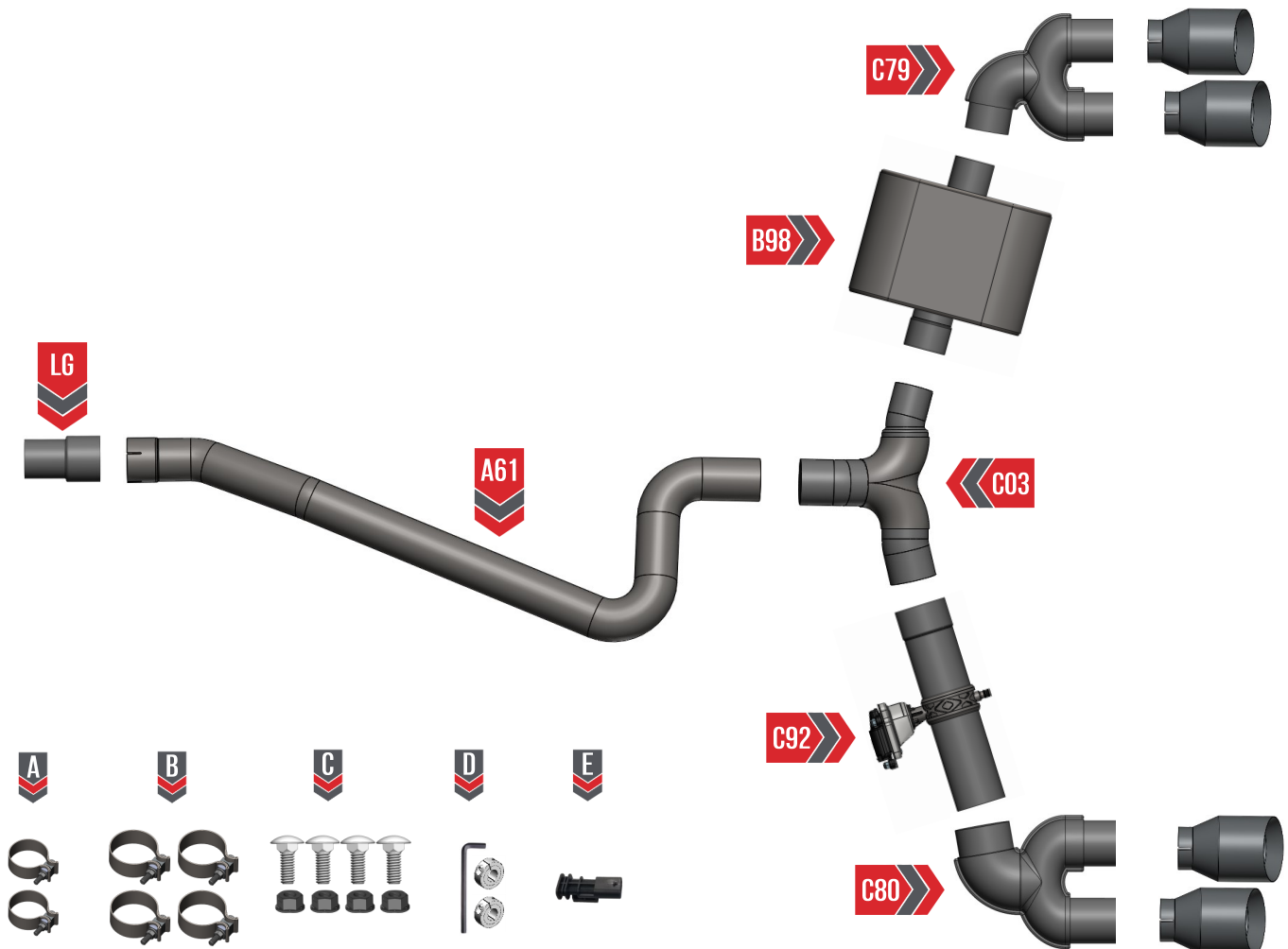


# PARTS LIST (SWITCHPATH™ SYSTEM)



**INSPECT ALL PARTS PRIOR TO DISASSEMBLY OF VEHICLE; IF DAMAGED OR MISSING, PLEASE CONTACT THE PLACE OF PURCHASE IMMEDIATELY.**

Symbol	Part Number	Description	QTY
	LG	OE inlet adapter	1
	A61	Muffler inlet tube	1
	C03	Rear branch section	1
	C79	DS tip outlet section	1
	C80	PS tip outlet section	1
<b>A</b> >>	390250	2.5" exhaust band clamp	2
<b>B</b> >>	390300	3.0" exhaust band clamp	4
<b>C</b> >>	3910-41010	Hardware Kit for Integrated Clamp Style Exhaust Tips - Quad	1
	180010 (chrome) or 180011 (black)	102mm OD x 64.4mm ID tips	4
<b>D</b> >>	3910-11012	Hanger collar clamp kit	1
	→ SRC1-050	1/2" split collar clamp	2
	→ 7122A19	9/64 Allen wrench	1
<b>E</b> >>	GA-6669	Valve harness plug	1
<b>SwitchPath™ systems only</b>			
	B98	SwitchPath™ muffler section	1
	C92	SwitchPath™ valve section	1





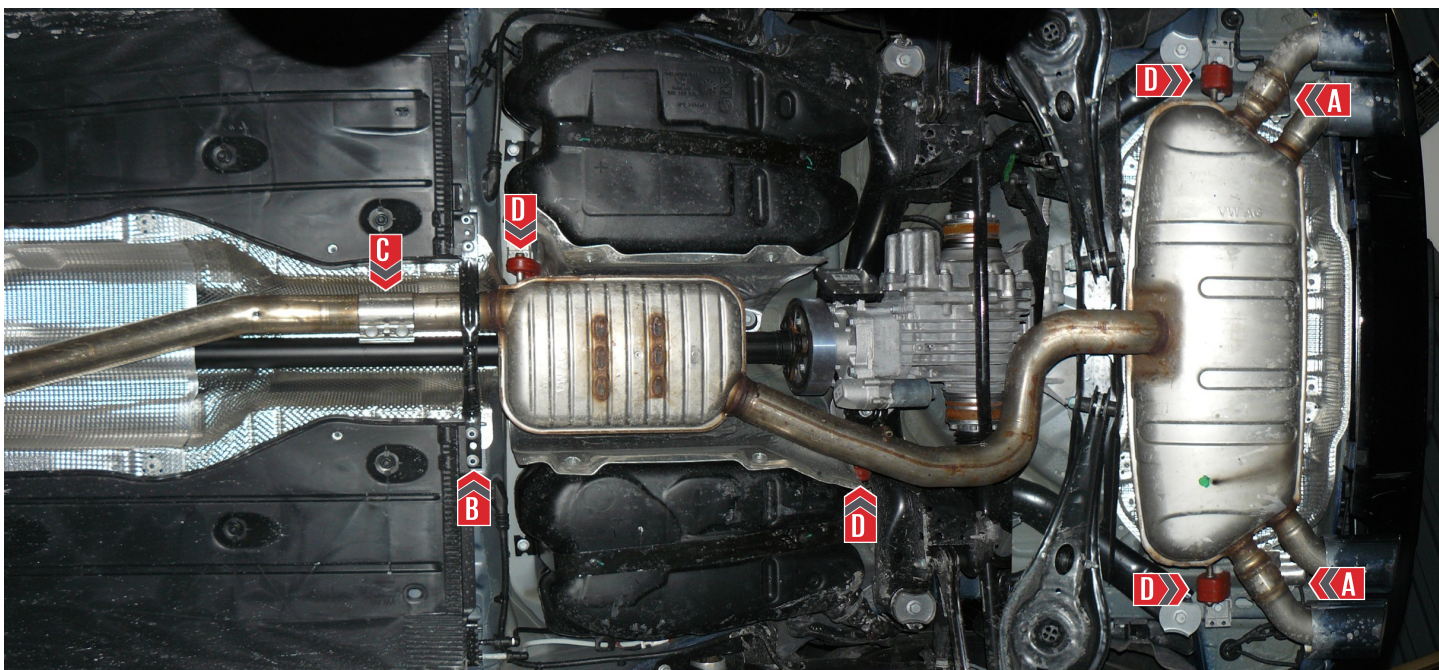
**NOTE:** Always refer to the manufacturer's service manual for precise torque specifications on all OEM fasteners.



**CAUTION:** The exhaust may be **VERY HOT** — allow adequate time for the system to cool down before disassembly. Severe burns and injury will occur if skin comes into contact with a hot exhaust system.

## STEP 1

- A**» Unplug the OEM valve motor harnesses before beginning removal
- B**» Remove the OEM chassis brace
- C**» Loosen the OEM sleeve clamp and slide it onto the downpipe section. This will be reused during installation of your AWE exhaust system if the AWE downpipe is not being installed
- D**» Release the exhaust hanger bars from the grommets



## STEP 2

Install the larger diameter end of the OE inlet adapter **LG** into the **A61** muffler inlet tube and attach it with a 3" exhaust band clamp.





## STEP 3

It is crucial to install each section and exhaust band clamps correctly to prevent loose joints, exhaust leaks and rattles.

**Arrow A** shows the expanded pipe and the preinstalled exhaust clamp being brought up to the corresponding pipe.

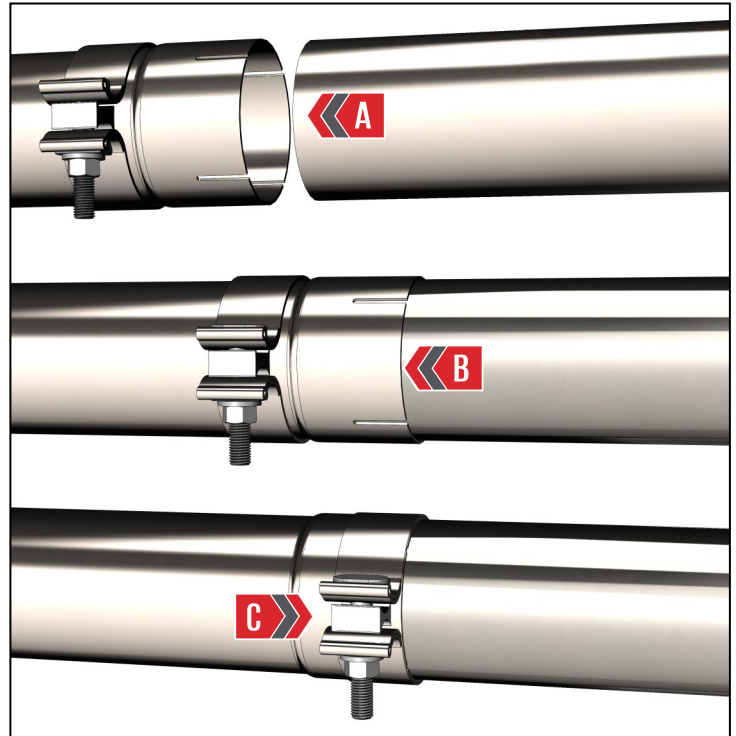
**Arrow B** shows the overlapping pipe installed correctly over the corresponding pipe.

**Arrow C** shows the exhaust band clamp being brought to the edge of the expanded pipe.



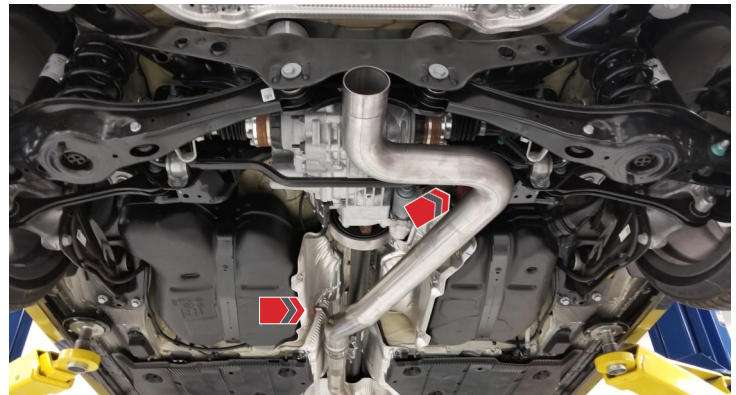
### NOTES:

- **Do not** fully torque any exhaust clamp until the entire exhaust has been installed and adjusted.
- Torque specification is a **minimum** of **60 ft/lbs**



## STEP 4

Install the **LG** and **A61** assembly onto the vehicle by attaching the two hangers shown at the arrows.



## STEP 4

Install the T-branch section **C03** onto the rest of the system using another 3" exhaust clamp.



The T-branch should be installed so that the part angles up towards the chassis of the vehicle. In this orientation, the smaller diameter outlet or the T-branch should point towards the driver side of the vehicle.

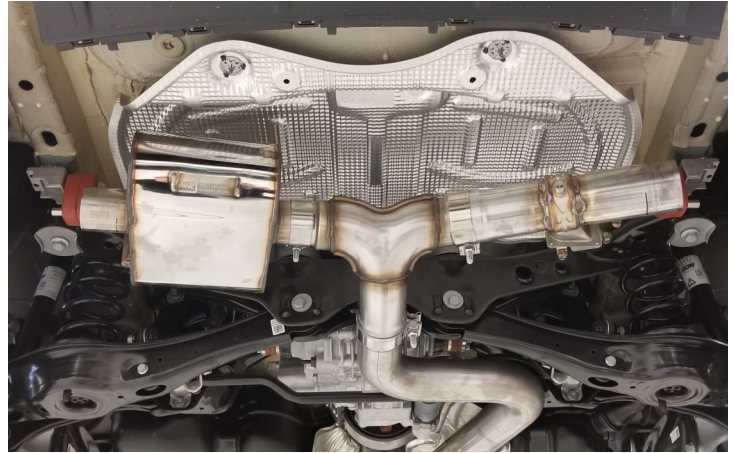


## STEP 5

The rear legs will be installed next. For SwitchPath™ systems, the muffler section will be installed on the driver side and the valved leg will be on the passenger side.

For the track systems, the smaller 2.5" diameter leg and 2.5" exhaust clamp will be installed on the driver side while the larger 3" leg and 3" clamp will be installed on the passenger side.

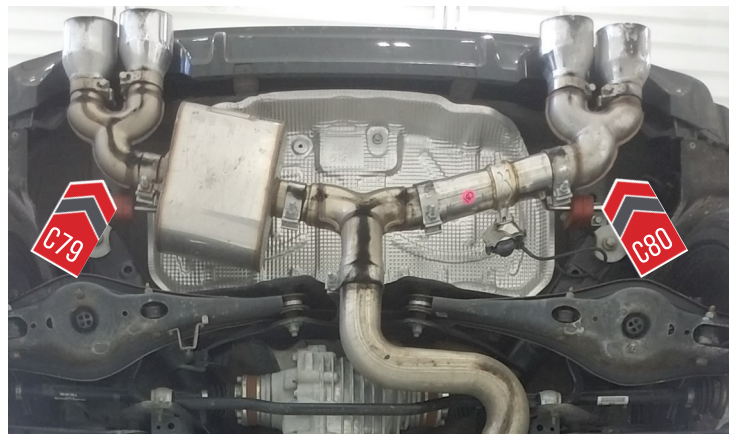
The orientation of the hangers and diameters of the t-branch will confirm the placement.



## STEP 6

Next, install the stamped tip sections. Again, note the different diameters and use the corresponding clamp sizes.

**C79** will be installed on the drivers side while **C80** will go on the passenger side.




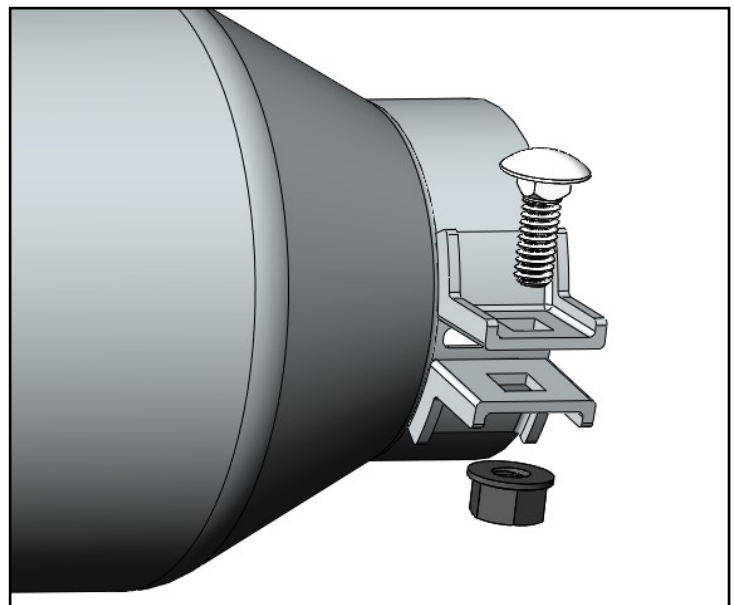
## STEP 7

To install the exhaust tips with integrated clamps, first, attach the exhaust tip in the proper orientation onto the exhaust outlet tube.

Insert one of the carriage bolts from the hardware kit (**3910-41010**) through the tab on the exhaust tip and thread on one of the corresponding nuts.

Using anti-seize on the bolt threads will help installation and prevent breakage of hardware.

 This exhaust system only has 2 exhaust tips while the integrated clamp kit has enough hardware for our 4 tip exhaust systems. You will have 2 sets of hardware left over that will not be used.





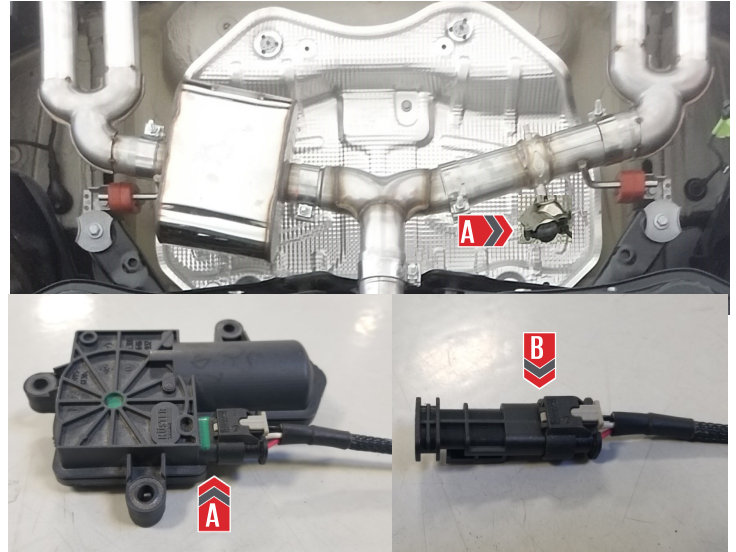
## STEP 8

Reconnect the factory valve motor harness wires to the locations based on your system:

For **SwitchPath™** systems connect the **passenger side** factory harness into the supplied AWE extension harness then connect the other end of the harness into the AWE valve motor as shown by **Arrows A**. Install the one supplied valve harness plug into the **driver side** harness as shown in **Arrow B**.

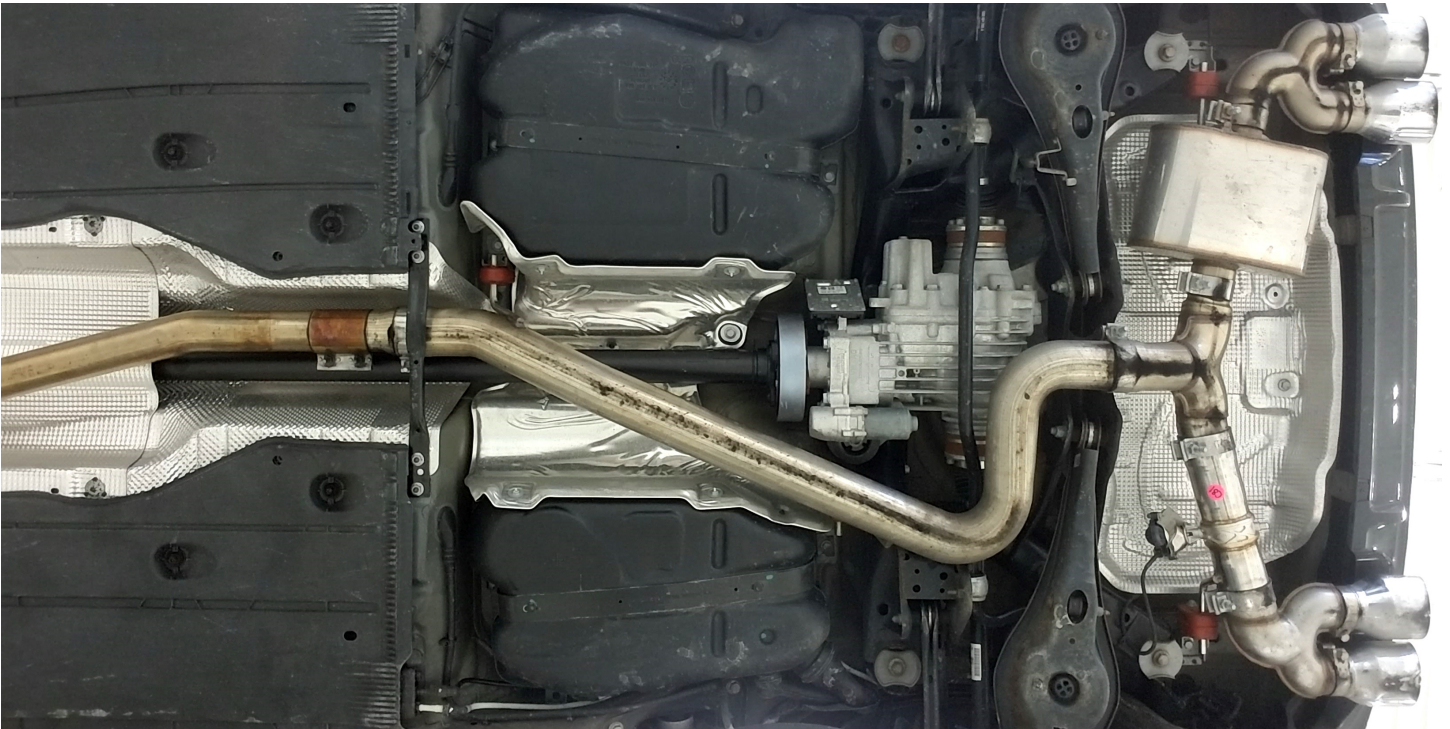
For **Track** systems install the **two** supplied valve harness plugs into **BOTH** OEM harnesses.

Tuck the plugged harness ends neatly away in a dry location



## STEP 9

To complete the installation, go back over the exhaust system and adjust the joints so there are no points of the exhaust contacting the chassis or heat shielding. Ensure all clamps are tightened to a **minimum of 60 ft/lbs.**



ENJOY!



# TROUBLESHOOTING

Issue	Solution
Exhaust is not fitting correctly	Most fitment issues are due to improperly adjusted exhaust. This includes tip fitments and rattling due to chassis contact. Check out our <a href="#">fitment guide</a> for more installation tips.
Wrong or missing parts	Double check the parts list for your system and compare them with what you received. Fill out our contact form, found below and let us know what parts you need.

# CARE

Once installed properly, your AWE exhaust will provide years of trouble-free performance.

The exhaust volume and sound will settle with usage; 800-1000 miles is required to break-in new exhaust systems.

Also, please note that the rear **180Technology®** resonator has a small drain hole to allow condensation to escape. Water drops from this area are normal.

Periodic cleaning of exhaust tips is necessary to maintain proper finish, especially in areas prone to road salt and caustic deicing solutions. Use a mild soap and water solution or car wax to clean the finish. Avoid using abrasive polishes, as they can scratch the finish.

Any questions or comments,  
please do not hesitate to contact us:

215-658-1670  
[CONTACT FORM](#)

# WARRANTY

Up-to-date warranty information is found [HERE](#).