

WeatherTech®

Easy-On™ Stone & Bug Deflectors

Important Safety Information

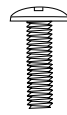


- CAUTION - Before driving, ensure that the hood shield is properly secured to vehicle.
- Do not use automatic “brush-style” car washes.
- Do not use cleaning solvents of any kind.
- Periodically check all components for tightness.

Contents **NOTE:** Actual product may vary from illustration.



Hood shield



Machine Screw x2



Bracket x2



Protective Film x2



Alcohol Pad x2



Black Plastic Washer x2

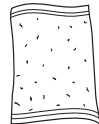


Bump On x2

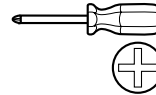
Tools Required



Car Wash Supplies



Clean Towel



Phillips Head Screwdriver



Grease pencil

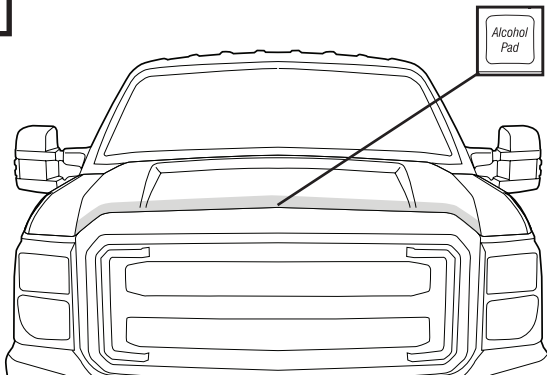
Preparation Before Painting / Installation

- A trial fit is recommended to ensure proper positioning and fit.
- Check fit of parts before painting as we will not accept the return of modified or painted parts.
- Wash and dry your vehicle to remove any debris and/or dirt from the installation area.

Installation Steps **NOTE:** Actual application may vary slightly from illustrations.

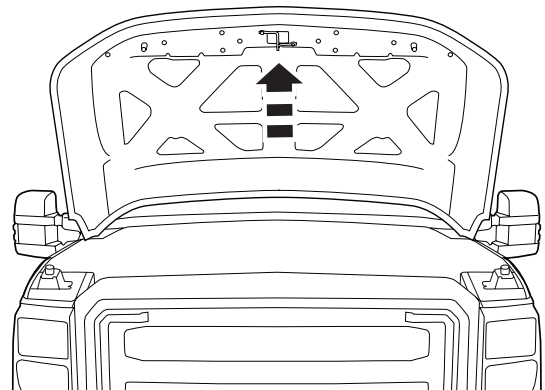


Clean the upper leading edge of the hood surface with an alcohol pad.



1

Raise Hood.



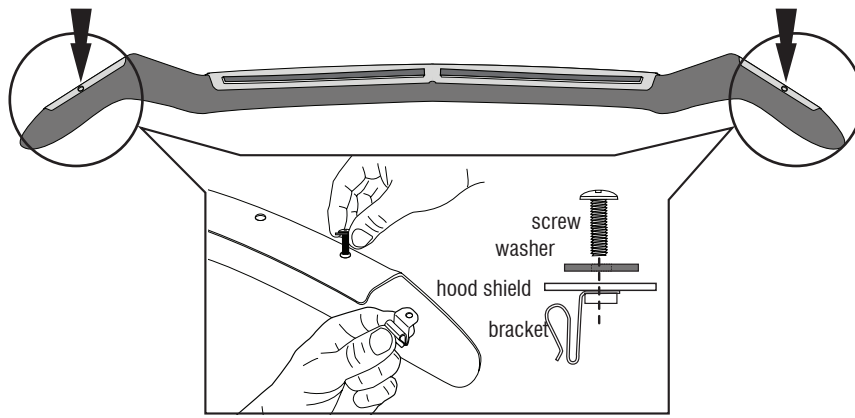
2

Installation Steps

NOTE: Actual application may vary slightly from illustrations.



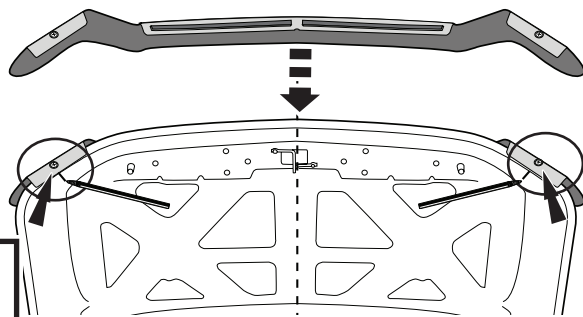
Install (2) brackets on **OUTBOARD** hood shield flanges using machine screw and black washer.



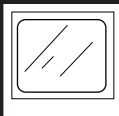
3



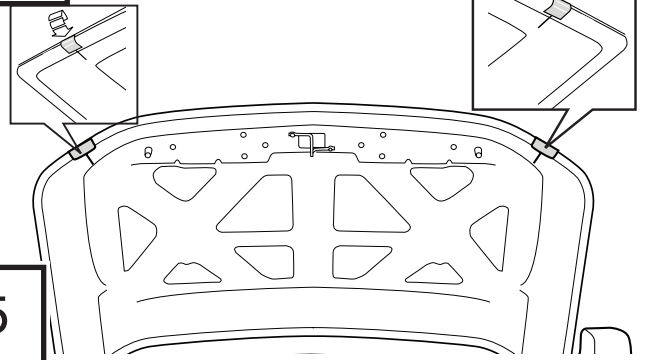
Center hood shield on hood. Note the location where the brackets will align with hood edge and mark with a grease pencil. Remove hood shield.



4

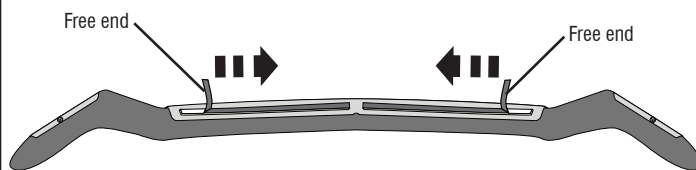


Center a piece of protective film over each grease pencil mark, and wrap protective film around the hood edge at two locations.



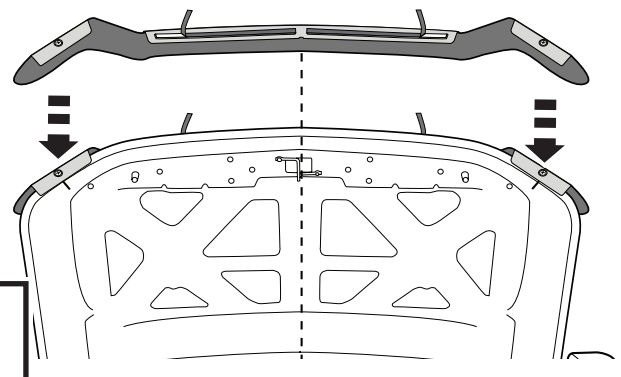
5

Expose 2" (5 cm) of tape liner from each end of the center flanges on the hood shield. Ensure that free ends of tape liner are accessible.



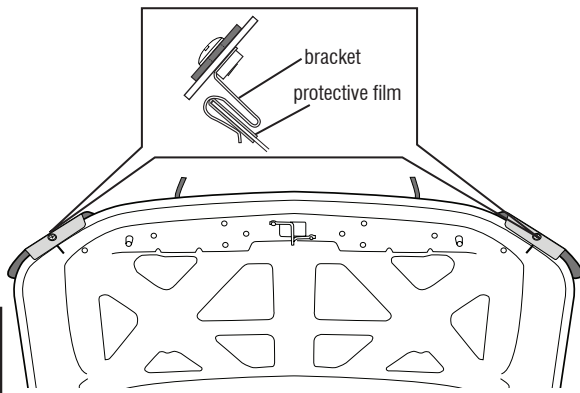
6

Position hood shield back in place on hood.



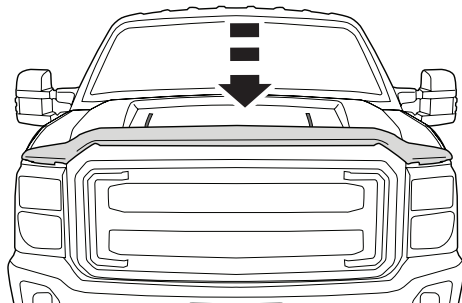
7

Slide each bracket over hood edge, ensuring that it is centered on the protective film previously installed in **Step 5**. Carefully close hood.



8

Carefully close hood.



9

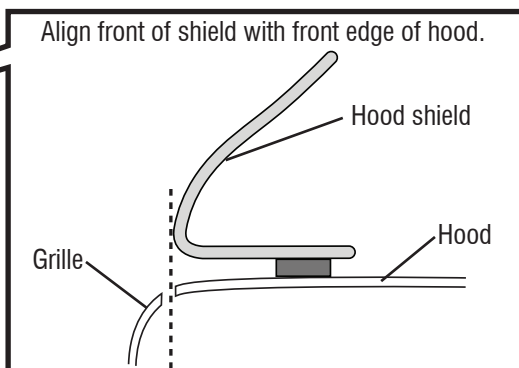
Installation Steps

NOTE: Actual application may vary slightly from illustrations.

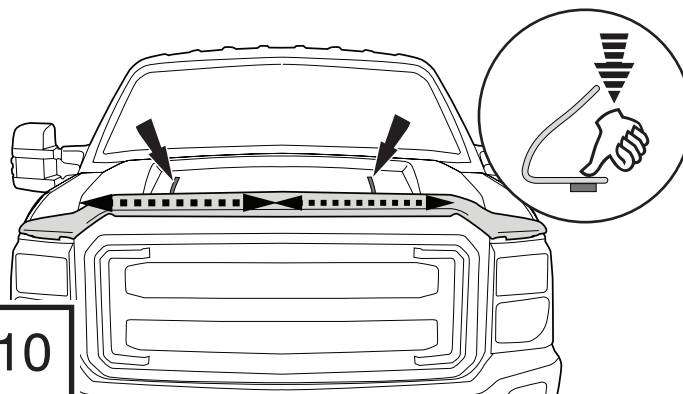
Check position of hood shield. **NOTE:** Ensure that center flanges where tape will adhere are not in contact with top of grille.



9

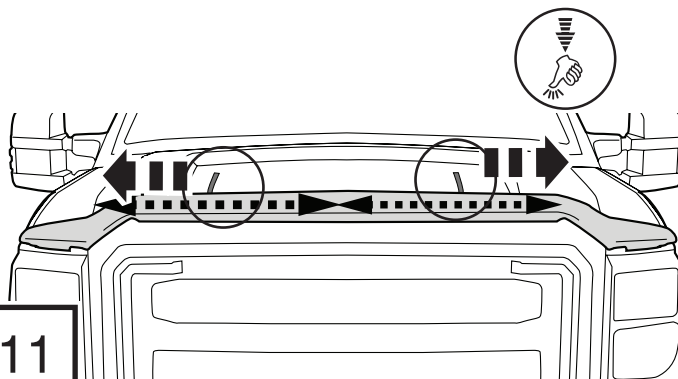


Press and hold hood shield against the upper surface of hood.



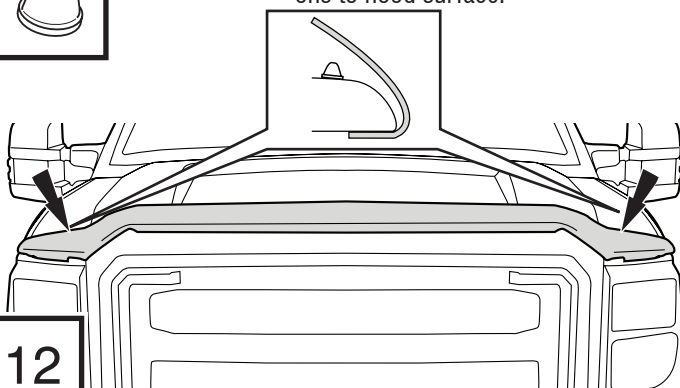
10

Remove remaining tape liner by pulling on the free ends. Apply pressure to flange to ensure proper adhesion of tape.



11

Remove adhesive backing and apply (2) bump ons to hood surface.



12

Care and Cleaning

- Wash only with mild soap & dry with a clean cloth.