

Exhaust System Installation for Ford Mustang GT PNs 14834, 140067, 140458



These instructions have been written to help you with the installation of your Borla Performance Exhaust System. Please read this document completely before beginning the installation of your system.

Please compare the parts in the box with the bill of materials provided to assure that you have all the parts necessary for this installation.

To ensure this part number fits your specific model year, please visit our website for the latest model year listings at www.BORLA.com.

Thank you for purchasing a Borla Performance Cat-Back™ Exhaust System.

This Borla Performance Cat-back Exhaust System (PNs 14834, 140067, 140458) is designed for the Ford Mustang GT equipped with a 4.6L V8 engine and automatic or manual transmissions.

Borla Performance Industries recommends that an exhaust shop or professional after market parts installer perform the installation of this system. However, if you decide to perform the installation on your own it is recommended that two people are used. This installation should not be performed by one person due to the risk of injury. Ensure the installers use all under car safety precautions including eye protection.

Please take time to read and understand the following...

By installing your Borla Performance Exhaust System, you indicate that you have read this document and you agree with the terms stated below.

It is the responsibility of the purchaser to follow all installation instruction guidelines and safety procedures supplied with your Borla Performance Exhaust System

Borla Performance Industries assumes no responsibility for damages occurring from misuse, abuse, improper installation, improper operation, lack of responsible care, or all previously stated reasons resulting from incompatibility with other manufacturer's products and/or systems.

Included with your Borla Performance Exhaust System is a warranty card. Please read it carefully before you begin any work on your vehicle. If you should have any questions regarding our warranty policy, installation, or any other matter pertaining to your new Borla Performance Exhaust System, please give us a call at the number provided on the warranty card.

Minimum Required Tool List:

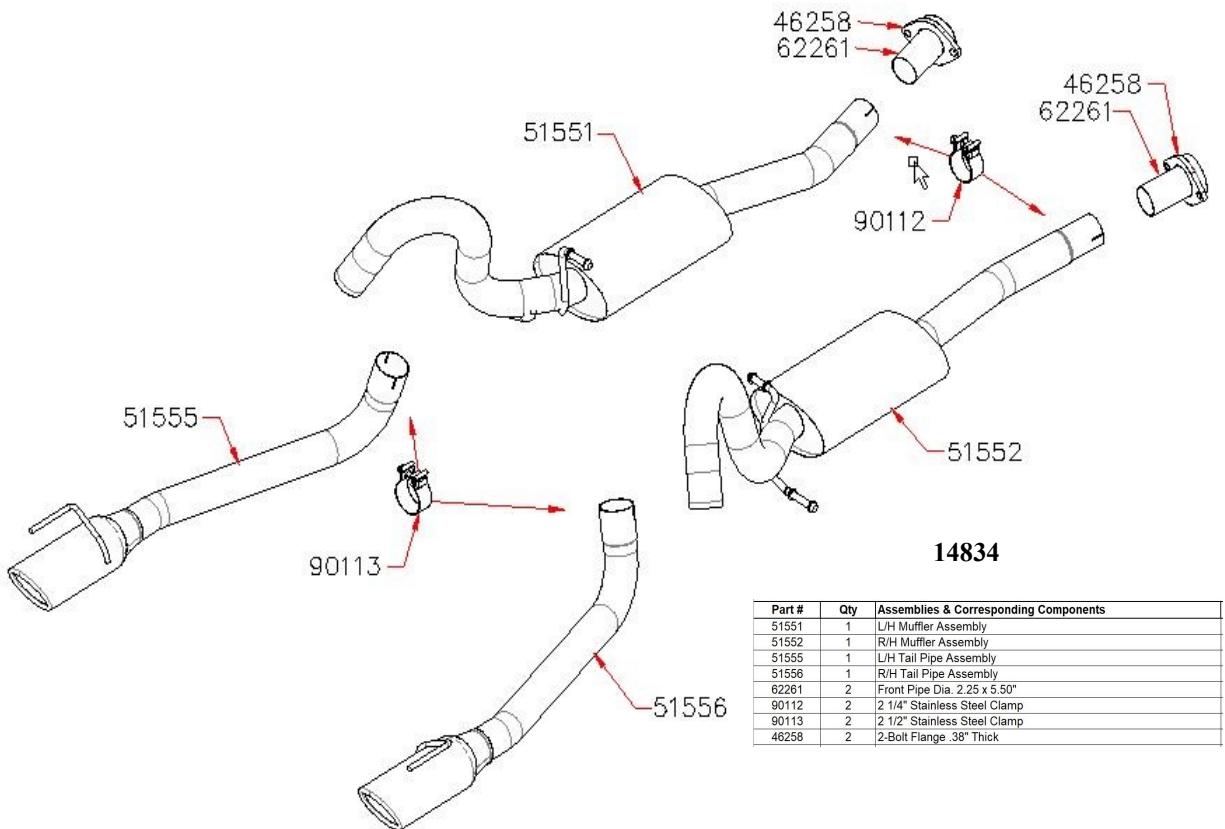
TOOLS:

1. 3/8" drive ratchet
2. 3/8" drive extension 3"
3. 13mm, & 15mm sockets
4. Pry bar

SHOP SUPPLIES:

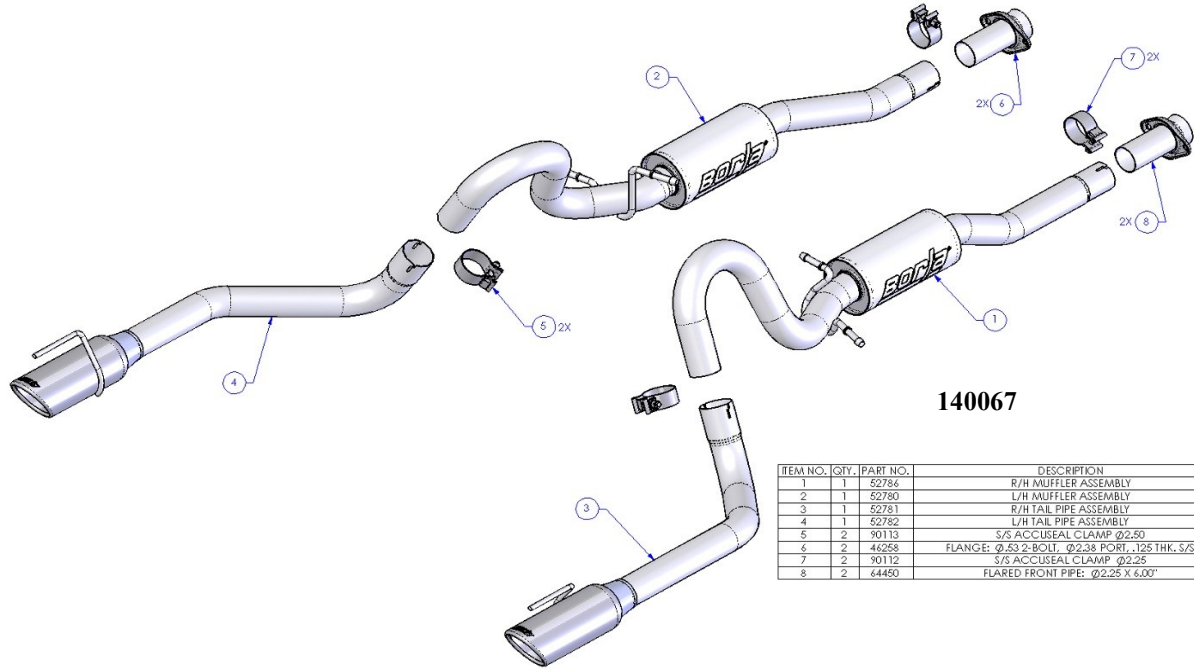
1. Spray lubricant

Borla Performance Cat-Back™ Bill of Materials



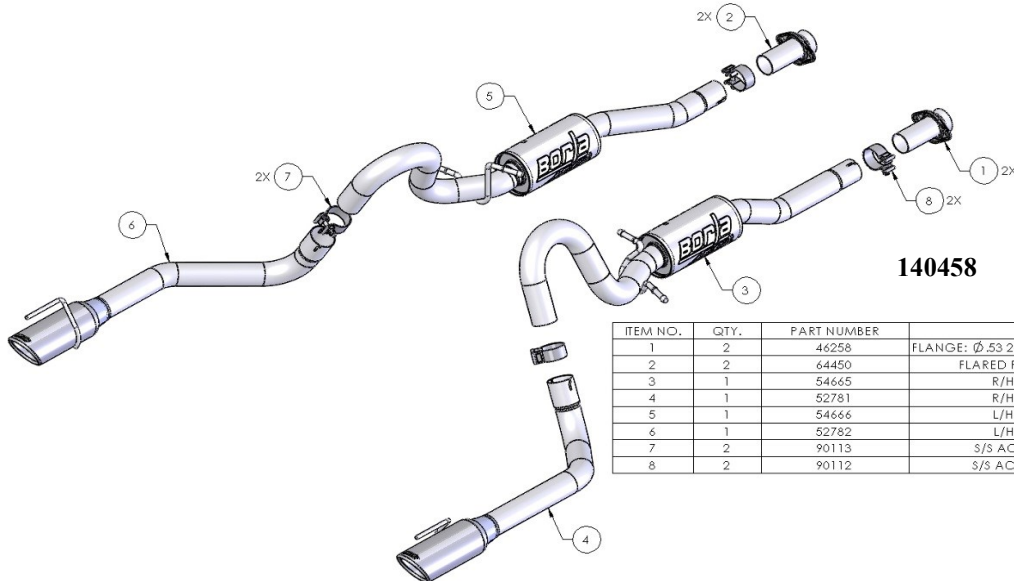
Part #	Qty	Assemblies & Corresponding Components
51551	1	L/H Muffler Assembly
51552	1	R/H Muffler Assembly
51555	1	L/H Tail Pipe Assembly
51556	1	R/H Tail Pipe Assembly
62261	2	Front Pipe Dia. 2.25 x 5.50"
90112	2	2 1/4" Stainless Steel Clamp
90113	2	2 1/2" Stainless Steel Clamp
46258	2	2-Bolt Flange .38" Thick

Borla Performance Cat-Back™ Bill of Materials



140067

ITEM NO.	QTY.	PART NO.	DESCRIPTION
1	1	52784	R/H MUFFLER ASSEMBLY
2	1	52780	L/H MUFFLER ASSEMBLY
3	1	52781	R/H TAIL PIPE ASSEMBLY
4	1	52782	L/H TAIL PIPE ASSEMBLY
5	2	90113	S/S ACCUSEAL CLAMP Ø2.50
6	2	44258	FLANGE: Ø.53 2-BOLT, Ø2.38 PORT, .125 THK. S/S
7	2	90112	S/S ACCUSEAL CLAMP Ø2.25
8	2	64450	FLARED FRONT PIPE: Ø2.25 X 6.00"



140458

ITEM NO.	QTY.	PART NUMBER	DESCRIPTION
1	2	46258	FLANGE: Ø.53 2-BOLT, Ø2.38 PORT, .125 THK. S/S
2	2	64450	FLARED FRONT PIPE: Ø2.25 X 6.00"
3	1	54665	R/H MUFFLER ASSEMBLY
4	1	52781	R/H TAIL PIPE ASSEMBLY
5	1	54666	L/H MUFFLER ASSEMBLY
6	1	52782	L/H TAIL PIPE ASSEMBLY
7	2	90113	S/S ACCUSEAL CLAMP Ø2.50
8	2	90112	S/S ACCUSEAL CLAMP Ø2.25

Caution!!! *Never work on a hot exhaust system. Serious injury in the form of burns can result* If the vehicle has been in use and the exhaust system is hot, allow vehicle to cool for at least 1 hour. Always wear eye protection when working under any vehicle.

Note: It is our recommendation that you use a hoist or hydraulic lift to facilitate the installation of your new Borla Performance Exhaust System.

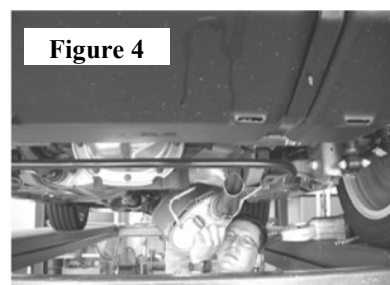
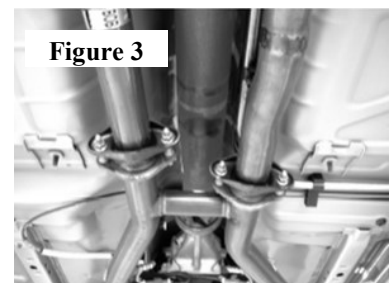
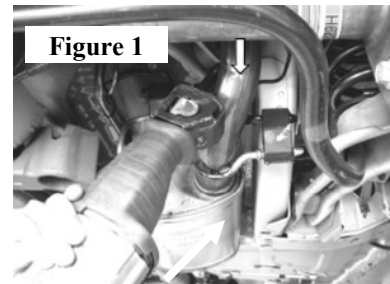
Taking all under car safety precautions, lift the vehicle using a hoist or hydraulic lift. Once this has been done, you may begin the removal of your old exhaust system from your vehicle.

Note: Before removing the original exhaust system from your vehicle, please compare the parts you have received with the bill of materials provided on the previous page to assure that you have all the parts necessary for the installation of your new Borla Performance Exhaust System.

Original Exhaust System Removal

Note: With a used vehicle, we suggest a that penetrating spray lubricant be applied liberally to all exhaust fasteners and to allow a significant period of time for the chemical to lubricate the threads before attempting to disassemble.

1. Beginning with the passenger side, use a reciprocating saw or a exhaust-cutting tool to cut the original exhaust just after the muffler assembly as shown in figure 1.
2. Lubricate all hangers and rubber brackets.
3. Remove the hanger located on tail pipe assembly from rubber bracket and remove the tail pipe assembly from vehicle as shown in figure 2.
4. Using a muffler stand or an additional person to hold the muffler assembly up in place, unbolt the flange just in front of the muffler assembly shown in figure 3 and remove the hangers located on the muffler assembly from the rubber brackets.
5. Remove the muffler assembly from your vehicle as shown in figure 4.
6. For the removal of the driver side exhaust, repeat steps 1 through 5.



Warning: Use extreme caution during installation. Torque all fasteners according to manufacturer's torque values and tightening sequence. DO NOT use air impact tools to tighten fasteners on Borla Performance Exhaust Systems. Use of such tools may result in bent flanges or gasket contact areas leading to exhaust leaks.

Warning: Use extreme caution during installation. Torque all fasteners according to manufacturer's torque values and tightening sequence. **DO NOT** use air impact tools to tighten fasteners on Borla Performance Exhaust Systems. Use of such tools may result in bent flanges or gasket contact areas leading to exhaust leaks.

Borla Performance Exhaust System Installation

1. Using the original hardware, place the flared front pipe/flange assemblies into position as shown in figure 6. Secure the hardware hand tight.
2. Place a clamp over the expanded end of both left and right muffler assemblies and set them into position as shown in figure 6 installing the hangers into the rubber brackets.
3. Place a clamp over the expanded end of both left and right tail pipe assemblies and place them into position installing the hangers into the rubber brackets. **DO NOT** tighten the clamps.
4. Check your exhaust system for proper clearance under the vehicle and also for tip alignment.
5. Once position has been determined to be correct, tighten the Accuseal clamps to 32-35 ft. lbs.
6. Secure the flanges to the vehicle manufacturer recommendations.
7. Before starting your vehicle, make sure to check all wires, hoses, brake lines, body parts and tires for safe clearance from the exhaust system.
8. Start vehicle and check for any leaks. If any leaks are found, determine cause (such as loose or incorrectly positioned clamp) and repair as necessary.

Note: When you first start your vehicle after the installation of your new Borla Performance Exhaust System, there may be some smoke and fumes coming from the system. This is a protective oil based coating used in the manufacturing of mandrel bent performance exhaust tubing. This is not a problem and will disappear within a very short period of time after the exhaust has reached normal operating temperatures.

Figure 5

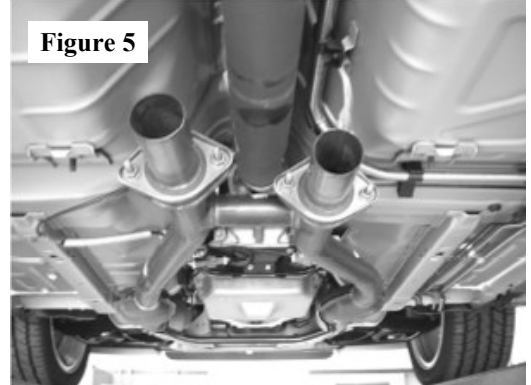


Figure 6

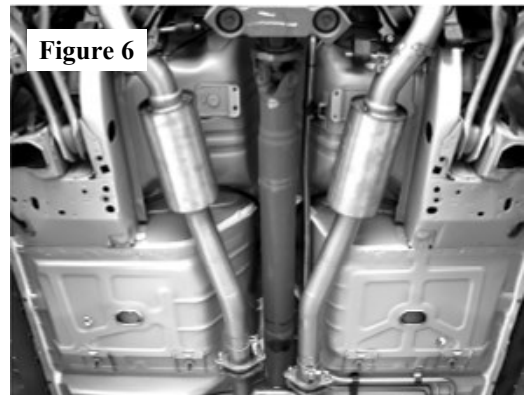


Figure 7

