

## Exhaust System Installation For Corvette C5/Z06 PN's-140017, 140038, 140039



These instructions have been written to help you with the installation of your Borla Performance Exhaust System. Please read this document completely before beginning the installation of your system.

Please compare the parts in the box with the bill of materials provided to assure that you have all the parts necessary for this installation.

To ensure this part number fits your specific model year, please visit our website for the latest model year listings at [www.BORLA.com](http://www.BORLA.com).

Thank you for purchasing a Borla Performance Cat-Back™ Exhaust System.

**Borla Performance Cat-Back™ Exhaust Systems (PN's 140017, 140038, 140039) are designed for the Chevrolet C5 Corvette Z06 equipped with a 5.7L V-8 engine, automatic or manual transmissions.**

Borla Performance Industries recommends that an exhaust shop or professional after market parts installer, who has all the necessary equipment, tools and experienced personnel needed for proper installation, should perform the installation of this system. However, if you decide to perform the installation, we recommend someone should help you. Ensure the installer uses all under car safety precautions including eye protection.

*Please take time to read and understand the following...*

By installing your Borla Performance Exhaust System, you indicate that you have read this document and you agree with the terms stated below.

It is the responsibility of the purchaser to follow all installation instruction guidelines and safety procedures supplied with your Borla Performance Exhaust System.

Borla Performance Industries assumes no responsibility for damages occurring from misuse, abuse, improper installation, improper operation, lack of responsible care, or all previously stated reasons resulting from incompatibility with other manufacturer's products and/or systems.

Included with your Borla Performance Exhaust System is a warranty card. Please read it carefully before you begin any work on your vehicle. If you should have any questions regarding our warranty policy, installation, or any other matter pertaining to your new Borla Performance Exhaust System, please give us a call at the number provided on the warranty card.

**Minimum Required Tool List:**

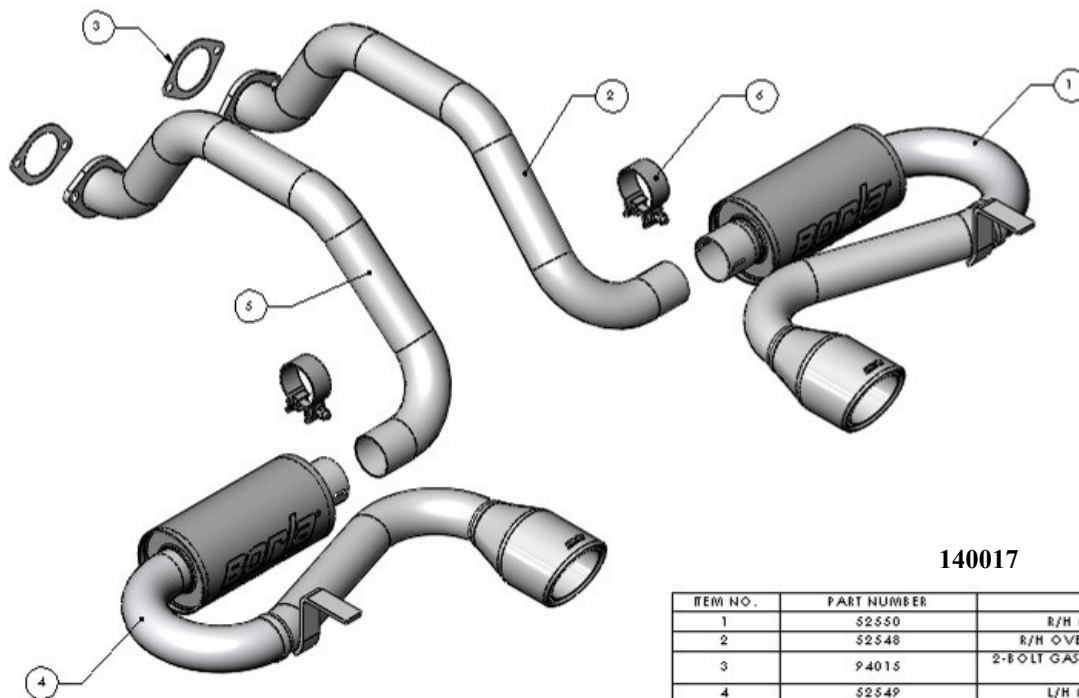
**TOOLS:**

1. 3/8" Drive Ratchet
2. 3/8" Drive Extension 12"
3. 15mm Deep Well Socket
4. 18mm Socket
5. 15mm Wrench
6. 13mm Socket
7. 10mm Socket
8. Pry Bar

**SHOP SUPPLIES:**

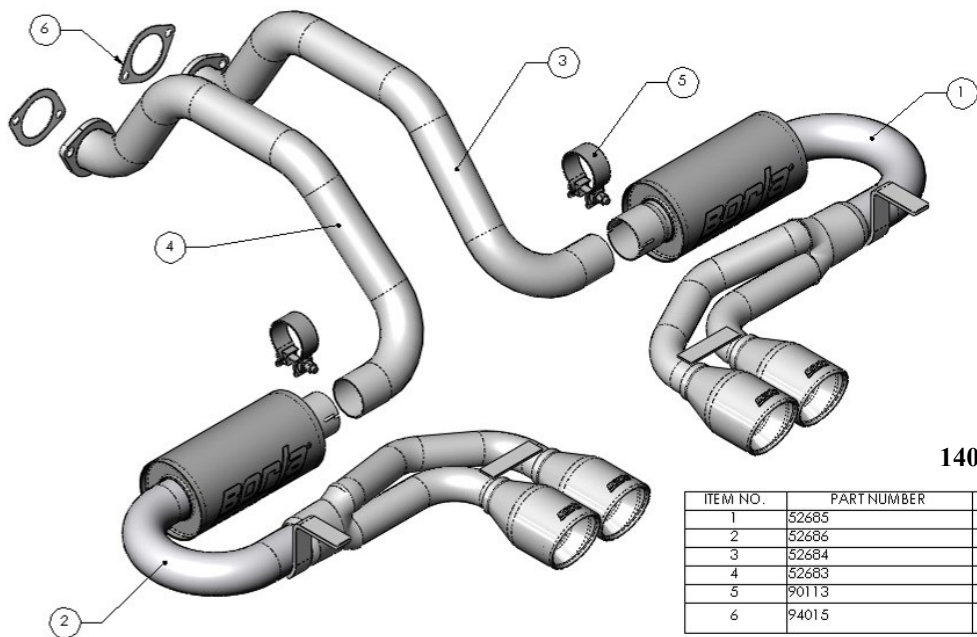
- 1 Spray Lubricant

**Borla Performance Cat-back™ Bill of Materials**



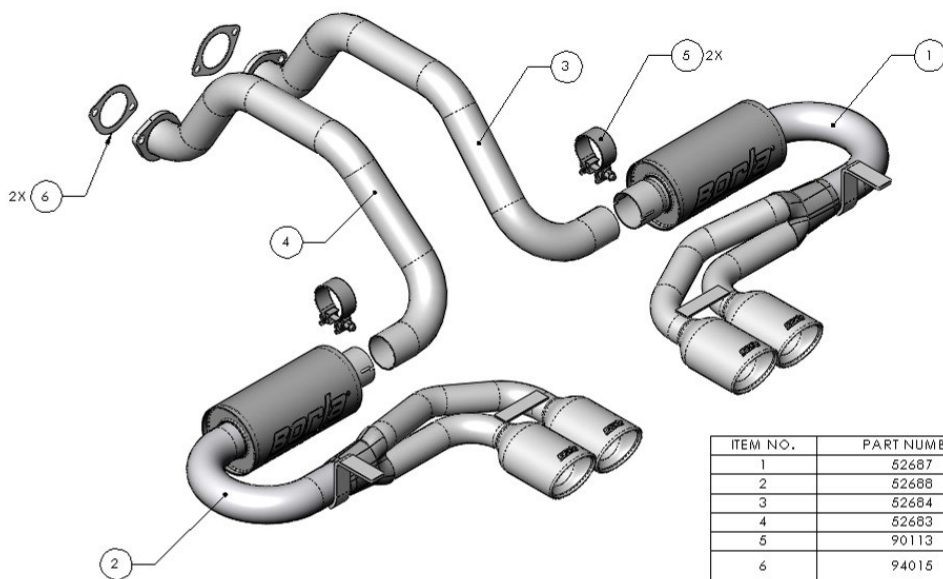
**140017**

ITEM NO.	PART NUMBER	DESCRIPTION	QTY.
1	S2550	R/H MUFFLER ASSEMBLY	1
2	S2548	R/H OVER AXLE PIPE ASSEMBLY	1
3	P4015	2-BOLT GASKET: Ø2.50 port, w/2 holes 3.69 c/c Ø.50	2
4	S2549	L/H MUFFLER ASSEMBLY	1
5	S2547	L/H OVER AXLE PIPE ASSEMBLY	1
6	P0113	3/5 ACCUSEAL CLAMP Ø2.50	2



**140038**

ITEM NO.	PART NUMBER	DESCRIPTION	QTY.
1	52685	R/H MUFFLER ASSEMBLY	1
2	52686	L/H MUFFLER ASSEMBLY	1
3	52684	R/H OVER AXLE PIPE	1
4	52683	L/H OVER AXLE PIPE	1
5	90113	S/S ACCUSEAL CLAMP $\varnothing 2.50$	2
6	94015	2-BOLT GASKET: $\varnothing 2.60$ port, w/2 holes 3.69 c/c $\varnothing .50$	2



**140039**

ITEM NO.	PART NUMBER	DESCRIPTION	QTY.
1	52687	R/H MUFFLER ASSEMBLY	1
2	52688	L/H MUFFLER ASSEMBLY	1
3	52684	R/H OVER AXLE PIPE	1
4	52683	L/H OVER AXLE PIPE	1
5	90113	S/S ACCUSEAL CLAMP $\varnothing 2.50$	2
6	94015	2-BOLT GASKET: $\varnothing 2.60$ port, w/2 holes 3.69 c/c $\varnothing .50$	2

**Caution!!!** Never work on a hot exhaust system. Serious injury in the form of burns can result If the vehicle has been in use and the exhaust system is hot, allow vehicle to cool for at least 1 hour. Always wear eye protection when working under any vehicle.

*Note: It is our recommendation that you use a hoist or hydraulic lift to facilitate the installation of your new Borla Performance Rear Section Exhaust System.*

Taking all under car safety precautions, lift the vehicle using a hoist or hydraulic lift. Once this has been done, you may begin the removal of your old exhaust system from your vehicle.

*Note: Before removing the original exhaust system from your vehicle, please compare the parts you have received with the bill of materials provided on the previous page to assure that you have all the parts necessary for the installation of your new Borla Performance Rear Section Exhaust System.*

## Original Exhaust System Removal

Note: With a used vehicle, we suggest a penetrating spray lubricant to be applied liberally to all exhaust fasteners and allowing a significant period of time for the chemical to lubricate the threads before attempting to disassemble.

1. Loosen (4) 18mm bolts/13mm nuts securing the anti-sway bar leaving the bottom bolts in place, which run through the lower control arm. (See Fig. 1)
2. Lubricate all hangers, rubber isolator, bolt and nuts.
3. Rotate the anti-sway bar down and out of the way.
4. Remove bolts on the (2) exhaust flanges in front of the over axle pipe assemblies. (See Fig. 2)
5. **AUTOMATIC TRANSMISSION ONLY: Remove the muffler hangers located above the mufflers at the rear of the vehicle by removing the two bolts holding each one in place. Manual transmission models: This does not have to be done, as there is more room to remove the muffler/over axle pipe assemblies.** (See Fig. 3)
6. Remove left-side and right-side exhaust system the vehicle. (See Fig. 4)

**Warning: Use extreme caution during installation. Torque all fasteners according to manufacturer's torque values and tightening sequence. DO NOT use air impact tools to tighten fasteners on Borla Performance Exhaust Systems. Use of such tools may result in bent flanges or gasket contact areas leading to exhaust leaks.**



Figure 1

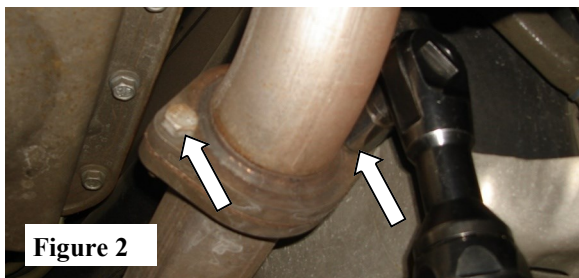


Figure 2

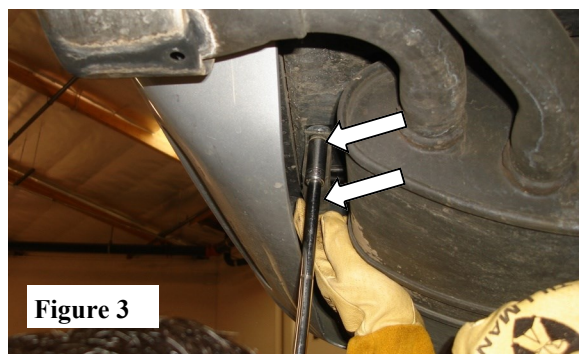


Figure 3



Figure 4

## Borla Performance Cat-Back™ Exhaust System Installation

1. Starting with **R/H Muffler Assembly**, slide OE muffler hangers on to the muffler brackets. Place a clamp over expanded end of pipe. (See Fig. 5)
2. Place the **R/H Over Axle Pipe** assembly into position and bolt onto the flange using the provided gaskets and original hardware. Hand tighten bolts. (See Figs. 6 & 7)
3. **AUTOMATIC TRANSMISSION ONLY:** Place an **Accuseal Clamp** over the expanded end of the **R/H Muffler Assembly** and mate to **R/H Over Axle Pipe** outlet. Use factory hardware to attach rubber hanger bracket to vehicle. **MANUAL TRANSMISSION equipped models you should be able to slide muffler hangers back into their rubber brackets and attach mufflers to over axle pipe assembly using the hardware provided.** (See Fig.8)
4. Repeat steps 2–4 for Left Side component installation.
5. Holding exhaust tips into proper position, tighten the flanges at the muffler.
6. Check your exhaust system for proper clearance under the vehicle and also for tip alignment. (See Fig. 9)
7. Once position has been determined to be correct, swing the anti-sway bar back into position re-installing the original hardware previously removed.
8. Before starting your vehicle, make sure to check all wires, hoses, brake lines, body parts and tires for safe clearance from the exhaust system.
9. Start vehicle and check for any leaks. If any leaks are found, determine cause (such as loose or incorrectly positioned clamp) and repair as necessary.

**Congratulations!!!** You have completed the installation of the world famous Borla Performance Stainless Steel Exhaust System.

*Note: When you first start your vehicle after the installation of your new Borla Performance Exhaust System, there may be some smoke and fumes coming from the system. This is a protective oil based coating used in the manufacturing of mandrel bent performance exhaust tubing. This is not a problem and will disappear within a very short period of time after the exhaust has reached normal operating temperatures.*

