



| Kit Contents | | |
|-------------------------------------|-----------------------|-----|
| Description | Part No | Pcs |
| Shock absorber | MIS 1110/ MIS 2110 | 2 |
| Upper spring seat | 24637-01 | 2 |
| Lower spring seat | 24635-01 | 2 |
| Dust boot | 10216-02 | 2 |
| Top mount | 25633-07 | 2 |
| Spring | 47010-31 | 2 |
| Top mount assy | 25633-07 | 2 |
| Lock nut | 24636-01 | 2 |
| Rebound adjuster | 24631-02 | 2 |
| Brake hose bracket | | 1 |
| Used for both front and rear | | |
| C-spanner | 24639-01 | 1 |
| C-spanner | 24639-03 | 1 |
| Öhlins sticker | 10207-01 | 1 |
| Öhlins Owner's Manual | | 1 |

👁 Note!

Please note that there can be small differences between your product and the images in these instructions.

👁 Note!

Please note that during storage and transport, especially at high ambient temperature, some of the oil and grease used for assembly may leak and stain the packaging. This will not cause damage to the product, wipe off the excessive oil or grease with a cloth.

👁 Note!

Before you install this product, check the kit contents. If anything is missing, please contact an Öhlins dealer.

⚠ Warning!

Before you install this product, read the Öhlins Owner's manual. This product is an important part of the vehicle and the vehicle stability.

Shock Absorber Kit for Mitsubishi Lancer Evolution X (CZ4A)

MIS MI10S1 FRONT

Mounting Instructions



MOUNTING INSTRUCTIONS

⚠ Warning!

We strongly recommend to let an Öhlins dealer install this product.

⚠ Warning!

If you work with a lifted vehicle, make sure that it is safely supported to prevent it from tipping over.

👁 Note!

When you work with this product, see the vehicle service manual for vehicle specific procedures and important data.

👁 Note!

Before you install this product clean the vehicle.

1

Raise the vehicle and put it on jack stands.

⚠ Warning!

Ensure that it is securely supported.

2

Remove the front wheels.

3

Loosen the bolts for the lower strut attachments.

👋 Caution!

Support the wheel hubs in an appropriate way on each side of the vehicle so that the brake hose and/or drive shaft joint can not be damaged.

4

Loosen the upper attachment. Remove the original struts from the car.

5

Remove the brake hose brackets from the standard struts.

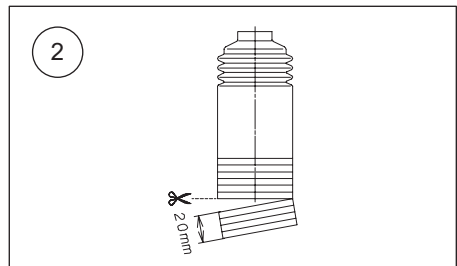
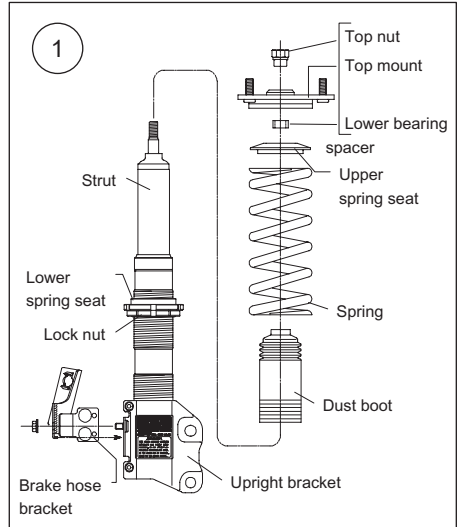
6

Cut the dust boot 20 mm from the lower end with a pair of scissors according to fig 2.

7

Tighten the lower spring seat and the lock nut to 50 - 60 Nm.

Fit the dust boot, the spring and the upper spring seat to the strut according to fig 1. Fit the lower bearing spacer, the top mount and the top nut. Tighten the top nut to 35 - 40 Nm.



MOUNTING INSTRUCTIONS

8

Mount the original brake hose brackets to the Öhlins struts according to fig 1. Tighten the nut to 6 Nm.

Note!

When tightening the top mount nut, the shock absorber shaft must be held in position with a 5 mm Allen key.

9

Install the Öhlins McPherson struts on the vehicle.

10

Fasten the upper attachments.

11

Raise the wheel hub with a jack to remove the freeplay of the lower strut attachment bolts before lightening them.

Note!

Make sure that all bolts are tightened to the correct torque and that nothing fouls or restricts movement of the strut when it is being fully compressed or extended. Test this over the whole steering range from lock to lock.

12

Make sure that all removed parts are reinstalled in the same way as they were before the installation of the Öhlins shock absorber.

ADJUSTMENTS

⚠ Warning!

Before you ride/drive, always make sure that the setup is according to the recommended setup data. Read about adjustments and setting up in the Öhlins Owner's Manual before you make any adjustments. Contact an Öhlins dealer if you have any questions about setting up.

The standard preload is 2 mm from a free length of 200 mm, giving 198 mm installed length, see fig 3.

SETUP DATA

Recommended set-up

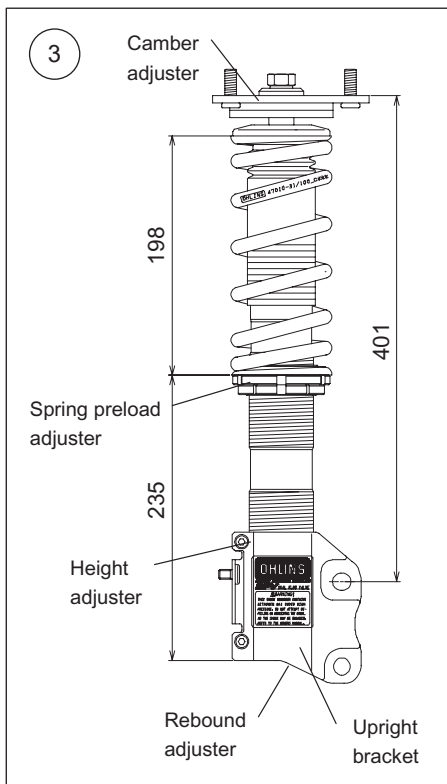
| | | |
|-----------------------|-----|--------|
| Rebound | 10 | clicks |
| Spring preload | 2 | mm |
| Shock absorber length | 401 | mm |

Spring

47010-31, 100 N/mm

The actual vehicle height

With both the preload and height adjustments in their standard positions, the vehicle is lowered approximately 25 mm when compared to the original suspension. As the height adjuster is turned one rotation, the position moves 2.0 mm.



⚠ Warning!

The adjustment range is the standard position ± 15 mm. If the bracket is moved outside the adjustment range, it may come loose.

Öhlins products are subject to continuous improvement and development, therefore, although these instructions include the most up-to-date information available at the time of printing, minor updates may occur.

To find the latest information contact an Öhlins distributor. Please contact Öhlins if you have any questions regarding the contents in this document.

Part no. MI_MISM10S1_0
Issued 2022-08-11

© Öhlins Racing AB. All rights reserved. Any reprinting or unauthorized use without the written permission of Öhlins Racing AB is prohibited.

Öhlins Racing AB
Box 722
S-19 27 Upplands Väsby, Sweden
Phone +46 8 590 025 00
fax +46 8 590 025 80



www.ohlins.com



| Kit Contents | | |
|---------------------------|----------|-----|
| Description | Part No | Pcs |
| Shock absorber | MIS 6I10 | 2 |
| Dust boot | 10216-01 | 2 |
| Top mount | 25633-08 | 2 |
| Spring | 47010-23 | 2 |
| Bushing spacer | 24629-04 | 4 |
| Screw M4 | 24633-02 | 2 |
| Control wire | 24632-01 | 2 |
| Handle | 24633-01 | 2 |
| Nylon nut M10 | 24627-01 | 2 |
| Allen key | | 1 |
| Top mount assy | 25633-08 | 2 |
| Lower spring seat | 24635-03 | 2 |
| Lock nut | 24636-03 | 4 |
| Mounted on shock absorber | | |
| Adjuster | 24631-03 | 2 |
| Washer | | 2 |

👁 Note!

Please note that there can be small differences between your product and the images in these instructions.

👁 Note!

Please note that during storage and transport, especially at high ambient temperature, some of the oil and grease used for assembly may leak and stain the packaging. This will not cause damage to the product, wipe off the excessive oil or grease with a cloth.

👁 Note!

Before you install this product, check the kit contents. If anything is missing, please contact an Öhlins dealer.

⚠ Warning!

Before you install this product, read the Öhlins Owner's manual. This product is an important part of the vehicle and the vehicle stability.

Shock Absorber Kit for Mitsubishi Lancer Evolution X (CZ4A)

MIS MI10S1 REAR

Mounting Instructions



MOUNTING INSTRUCTIONS

1
Raise the vehicle and put it on jack stands.

⚠ Warning!
Ensure that it is securely supported.

2
Remove the rear wheels.

3
Remove the lower and the upper attachments and remove the original shock absorbers.

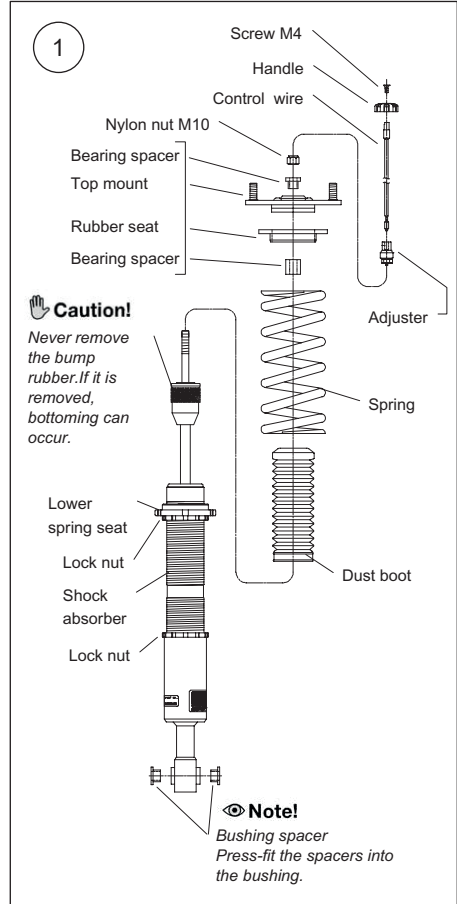
4
Tighten the lower spring seat and the lock nut to 50 - 60 Nm.
Fit the bushing spacers, the dust boot, the spring, the top mount and the adjuster according to fig 1. Tighten the nylon nut to 20 Nm.

👁 Note!
When tightening the top mount nut, the shock absorber shaft must be held in position with a 4 mm Allen key.

5
Install the Öhlins shock absorbers on the vehicle.

6
Fasten the upper attachments.

👁 Note!
Make sure that all bolts are tightened to the correct torque and that nothing fouls or restricts movement of the shock absorber when it is being fully compressed or extended.



MOUNTING INSTRUCTIONS

7

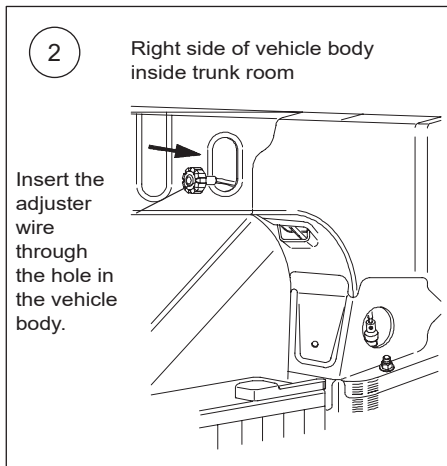
Make sure that all removed parts are reinstalled in the same way as they were before the installation of the Öhlins shock absorber.

8

Sub-assemble the wire. (Fasten the handle by tightening the M4 screw.)

As shown in the fig 2., insert the wire through the oval hole in the vehicle body and run it inside the vehicle.

Insert the top end of the wire into the adjuster and fasten it with the supplied Allen wrench.



ADJUSTMENTS

⚠ Warning!

Before you ride/drive, always make sure that the setup is according to the recommended setup data. Read about adjustments and setting up in the Öhlins Owner's Manual before you make any adjustments. Contact an Öhlins dealer if you have any questions about setting up.

The standard preload is 2 mm from a free length of 200 mm, giving 198 mm installed length, see fig 3.

SETUP DATA

Recommended set-up

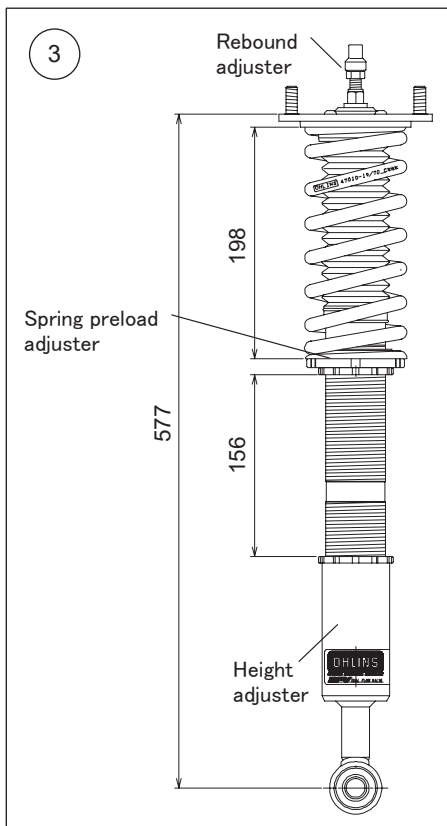
| | | |
|-----------------------|-----|--------|
| Rebound | 10 | clicks |
| Spring preload | 2 | mm |
| Shock absorber length | 577 | mm |

Spring

47010-23, 80 N/mm

The actual vehicle height

With both the preload and height adjustments in their standard positions, the vehicle is lowered approximately 25 mm when compared to the original suspension. As the height adjuster is turned one rotation, the position moves 1.5 mm.



⚠ Warning!

The adjustment range is the standard position ± 15 mm. If the bracket is moved outside the adjustment range, it may come loose.

Öhlins products are subject to continuous improvement and development, therefore, although these instructions include the most up-to-date information available at the time of printing, minor updates may occur.

To find the latest information contact an Öhlins distributor. Please contact Öhlins if you have any questions regarding the contents in this document.

Part no. MI_MISM10S1_0
Issued 2022-08-11

© Öhlins Racing AB. All rights reserved. Any reprinting or unauthorized use without the written permission of Öhlins Racing AB is prohibited.

Öhlins Racing AB
Box 722
S-194 27 Upplands Väsby, Sweden
Phone +46 8 590 025 00
fax +46 8 590 025 80



www.ohlins.com